



CERAMIC TRIMMER CAPACITOR 04RA SERIES

These rotary ceramic trimmer capacitors are designed to have high electrical performances which utilize a high quality ceramic dielectrics and are ideal for PCB dip mounting or SMT mounting

□ Features

1. Linear capacitance change
2. Variety capacitance ranges upto 30 PF
3. Linear capacitance Vs temperature changes and complete resetting
4. Excellent moisture-proof characteristic yields very small influence on Q and insulation resistance

□ Applications

- Video Equipment
- Acoustic Equipment
- Monitor and Computer
- Quartz Clock and Mini Radio
- Measuring and Communication Equipment

□ Characteristics

- ◆ Working Voltage : 50 VDC
- ◆ Withstand Voltage : 110 VDC
- ◆ Insulation Resistance : 10^4 M Ω min.at 50 VDC
- ◆ Turning Torque : 20 to 150 gf-cm
- ◆ Operating Temperature : -25 $^{\circ}$ C to + 85 $^{\circ}$ C

□ Parts Numbering

VC04 R A 100

1 1 2 3 4

1. Ceramic trimmer capacitor VC06 Series
2. R: Resin stator
3. Terminal type (A: Normal Type ; SM: SMD Type)
4. Nominal Capacitance Value FOR 04 (RoHS) SERIES
(060=6pF;100=10pF ...)

VC04RA



□ Ratings

PARTS NO.	Capacitance (pF)		Temp. Coefficient (ppm/ $^{\circ}$ C)	Q Factor (At@1MHz,Cmax.)	Color Code
	Min.(Less Than)	Max.(More Than)			
VC04RA030	1.2	3.0	NPO \pm 250	300 min	NIL
VC04RA060	1.4	6.0	N350 \pm 100	500 min	RED
VC04RA100	1.8	10.0	N750 \pm 250	300 min	NIL
VC04RA200	2.8	20.0	N750 \pm 250	300 min	BLUE
VC04RA300	4.0	30.0	N1200 \pm 500	200 min	YELLOW

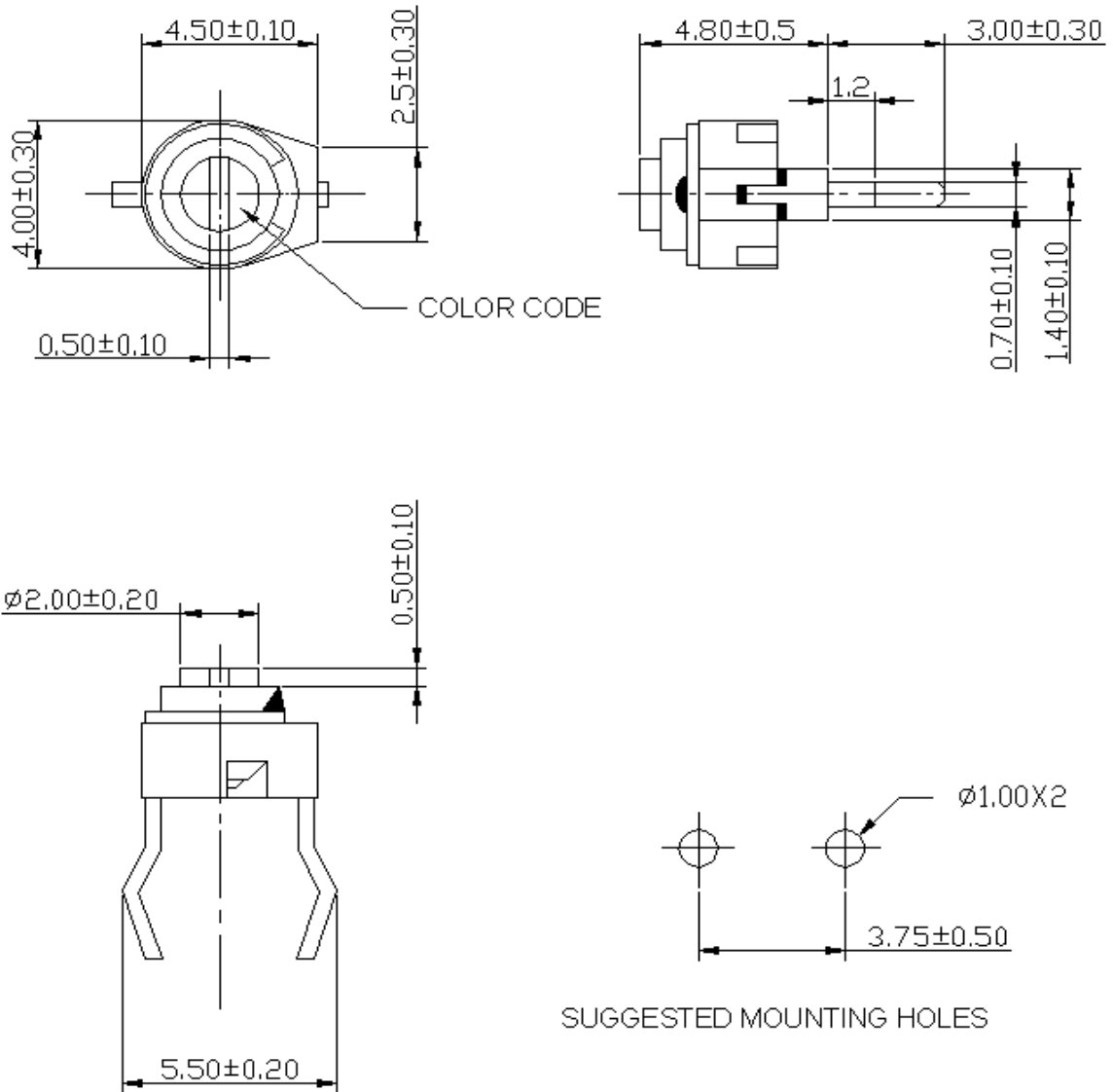
□ Packing

500 pcs/bag ; 10,000 pcs/ inner box



CERAMIC TRIMMER CAPACITOR 04RA SERIES

These rotary ceramic trimmer capacitors are designed to have high electrical performances which utilize a high quality ceramic dielectrics and are ideal for PCB dip mounting or SMT mounting



PRODUCTS NAME		CERAMIC TRIMMER CAPACITOR			
DRAWING NO.		VC04RA			
DATE	11-五月-10	APPROVED BY	CHECKED BY	DESIGNED BY	DRAWN BY
UNIT	m m.				
TOLERANCE	± 0.2				